

## FY-GL-CSII-292W



## FEATURES

- High efficacy up to 2.3  $\mu\text{mol}/\text{J}$ .
- IP54 dustproof.
- Top-bin CREE or Citizen COB LEDs.
- 100-277 V wide input voltage.
- Light uniformity distribution.
- 3 Channels to dimmable control of VEG, bloom and COB separately.
- Full spectrum 12 bands for VEG to bloom, full growing stages.
- Light uniformity distribution.

## CERTIFICATES

EMC / LVD / RoHS

## WARRANTY

Default is 3 years. 5 years warranty is optional

## APPLICATIONS

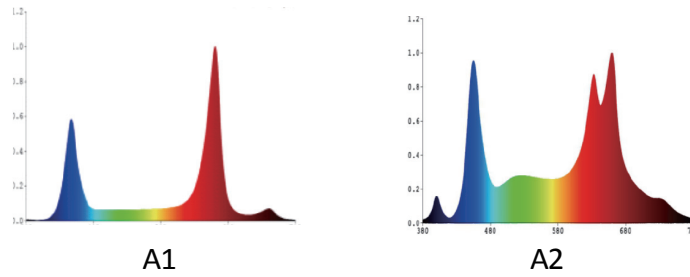
- Home hobbyist
- Agricultural universities
- Educational programs in local school districts
- Plant physiological research
- Biotechnology
- Pharmacology
- Greenhouses
- Plant factories

## SPECIFICATION

Model	FY-GL-CS II- 292W
Spectrum	Full Spectrum
Input Voltage	AC 100-277 V, 50 / 60 HZ
Power Factor	>0.95
Dimming	0-10 V
Dimension	19.2" x 11" x 2.7" L 490 * W 280 * H 70 mm
LED Quantity	1 * 100 W + 64 * 3 W
Rated Power	292 W
Draw Power	200 W
PPF	460 $\mu\text{mol}/\text{s}$

Efficacy	2.3 $\mu\text{mol}/\text{J}$
IP Rating	IP54
Beam Angle	90°
Operating Temperature	-4 - 104 °F / (-20 - 40 °C)
Lifetime	Q (L)90: 68, 300 hours
Certificates	CE, RoHS
Warranty	5 years
Master carton (1PC / CTN)	535 * 445 * 110 mm
Gross Weight	
Volume weight	5.2KG/PC

## SPECTRUM



## ACCESSORIES

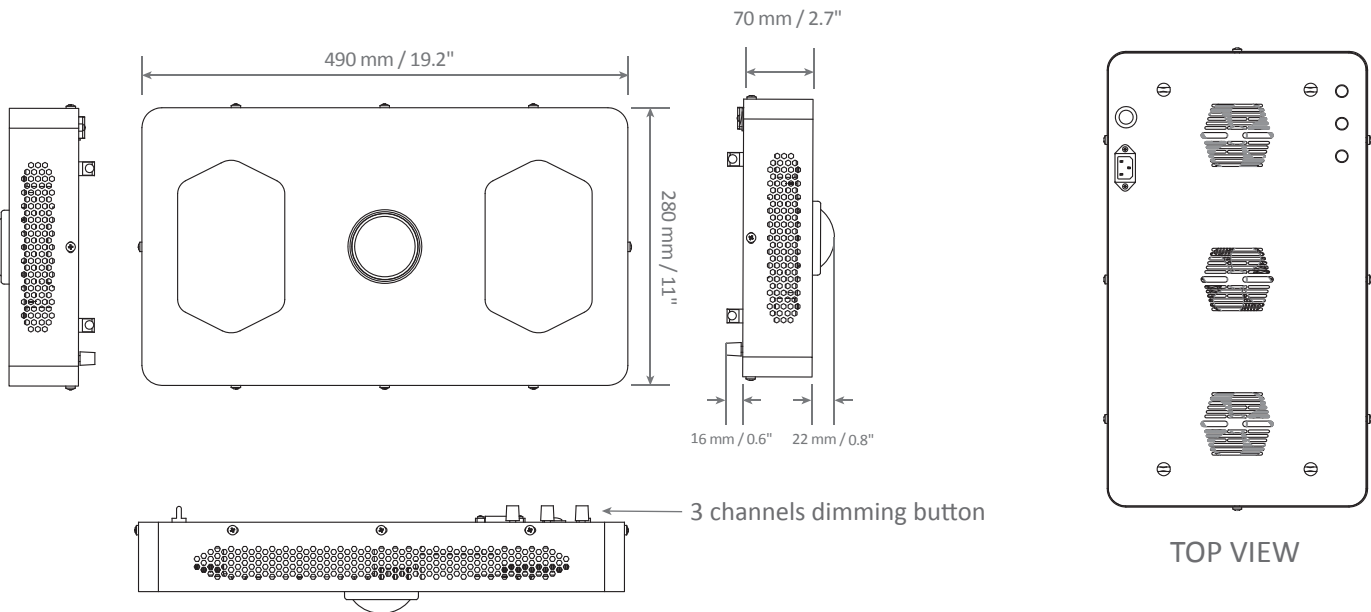


6FT POWER CABLE -1PC



ADJUSTABLE STAINLESS STEEL  
HANGING KITS -1SET

## DIMENSIONS



## PACKING INFORMATION

G.W.of inner carton	Size of inner box	Size of master carton	Quantity of master carton	G.W.of master carton	Storage temperature
BLANK	BLANK	535 * 445 * 562 mm	1pc		-40°C~80°C